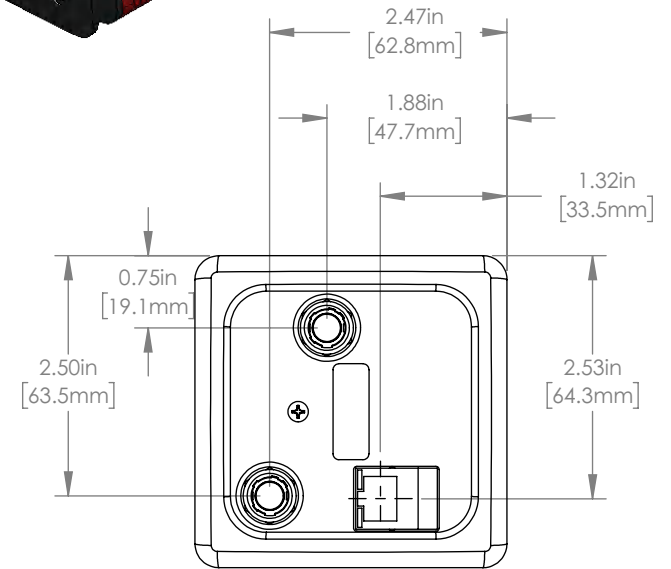
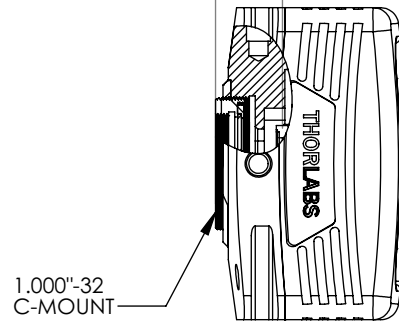


MAX. 0.74in
MIN. 0.66in
[18.7mm]
[16.7mm]
ADJUSTABLE
CCD IMAGE PLANE



REFER TO USERS MANUAL
FOR INTERCONNECT DETAILS

DRAWING PROJECTION

	NAME	DATE
DRAWN	J.O.	7/8/16
APPROVAL	M.P.	7/8/16

COPYRIGHT © 2016 BY THORLABS

VALUES IN PARENTHESIS ARE CALCULATED
AND MAY CONTAIN ROUND-OFF ERRORS

THORLABS
www.thorlabs.com

DIGITAL SCIENTIFIC CAMERA

MATERIAL N/A REV A

ITEM # 1501M-GE APPROX WEIGHT 0.75 kg

FOR INFORMATION ONLY
NOT FOR MANUFACTURING PURPOSES

ROHS COMPLIANT